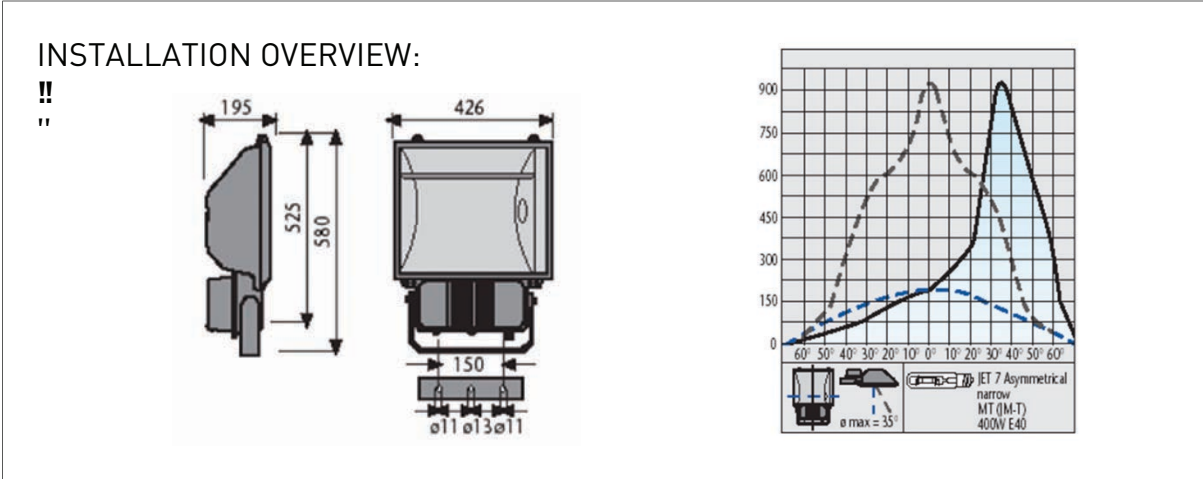


DESCRIPTION:
 e-LPT POINTER 7-IP65 asymmetric floodlight for 250w or 400w E40 Metal Halide or HPS SON lamps to incorporate electronic dimmable ballasts. Pressed die-cast aluminium. Anodised polished aluminium reflector. Ceramic lamp holder with silver-plated contacts. Corrosion and anti-seizure proof fixings.



LAMP DATA:
 Luminaire supplied with special dimming lamp-4000k (Ref: L87198)

NOTES:
 Luminaire specially modified to contain energy-efficient electronic dimming ballast with 0-10v (analogue) and digital control for 100%-50% dimming.